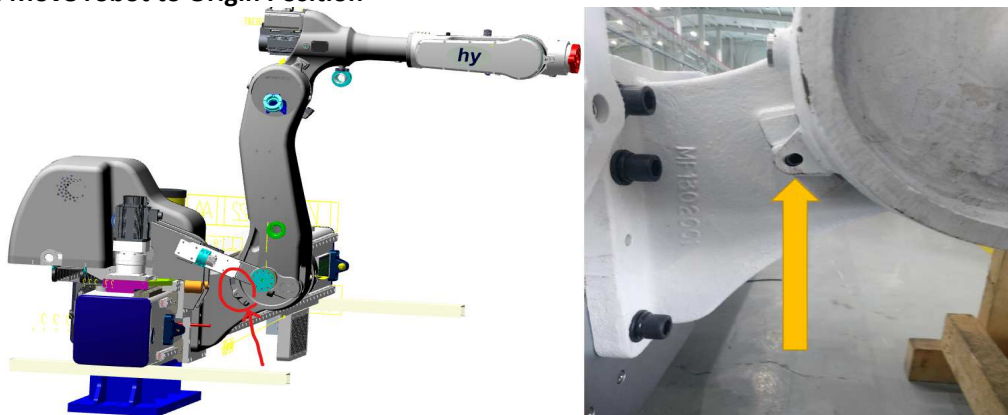
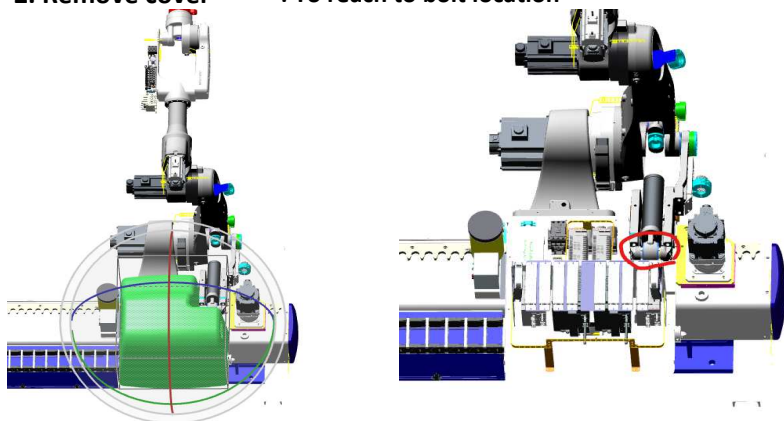


# H5-1850 GAS SPRING Replacement manual

## 1. Move robot to Origin Position



## 2. Remove cover : To reach to bolt location

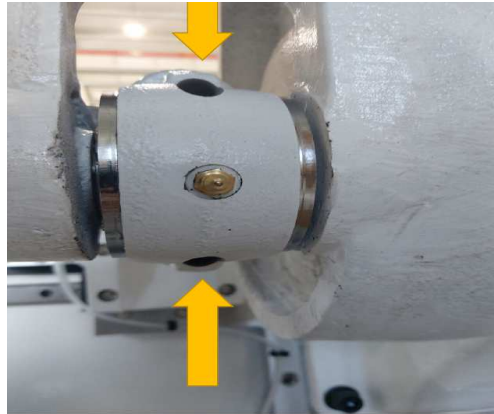
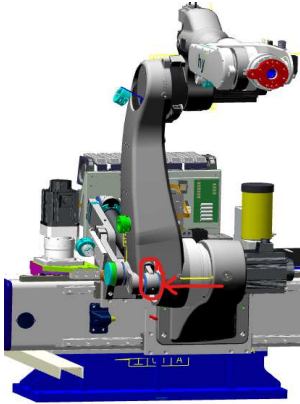


## 3. Remove top side br (4 point)

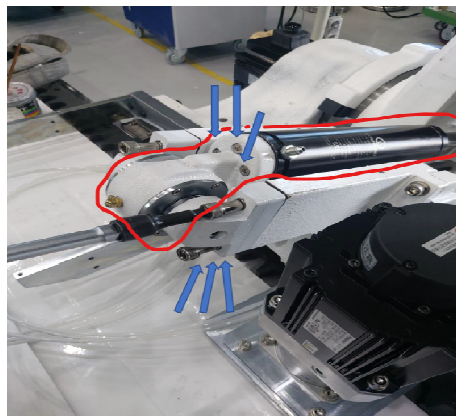
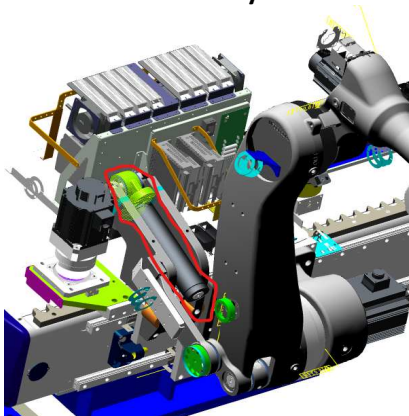
: Follow order of 1 ,2 ,3 4



**4. Remove two bolts (2 point)**

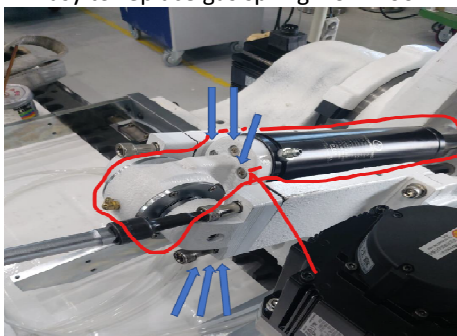


**5. Take out assembly**



**6. Take out assembly and remove gas spring**

: Easy to replace gas spring from floor



**7. Install new one ( Follow reverse step )**

- No teaching required ( Simple pick and place, ) precision insert molding, check each position bef