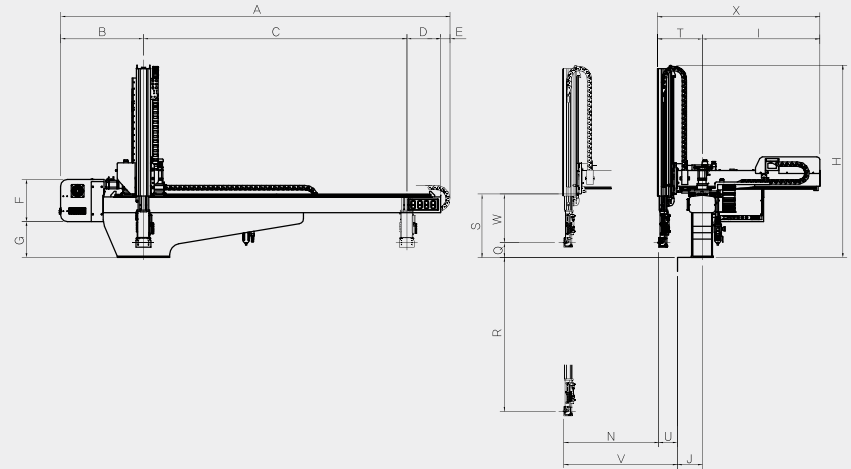


EPIK-SW SERIES

400~4000 Ton (integrated crosswise and vertical axis)

- Feature**
- Injection Molding Machine : 400-4000Ton
 - Servo Motor Axis : Max. 5 axis
 - Motion Guide : High Strength and Low noise LM
 - Crosswise Frame : integrated crosswise and vertical axis
 - Vertical Arm Structure : Telescopic Arm(2 step)
 - Controller : Body Attached Controller
 - All Axis : Digital Servo Motor

Power : 1Phase AC220V(50/60Hz)
 Driving Method : Digital Servo Motor
 Control Method : Micro Computer
 Air Pressure : 6 kgf/cm²
 Max. Air Pressure : 8 kgf/cm²
 Chuck Rotation : 90°



Technical Specification

() is optional.

Model	Traverse (mm)	Vertical (mm)	Crosswise (mm)	Max. Electric Consumption	Air Consumption [l (normal)/Cycle]	Max. Payload (Chuck Included)	I.M.M (Ton)
EPIK-600SW	2000	1300	900	3 Phase / AC 220V 10.4A	10	10 Kgf	400~650
EPIK-800SW	2500	1600	900 (1200)	3 Phase / AC 220V 13.7A	10	20 Kgf	550~900
EPIK-1000SW	3000	1800	900 (1200)	3 Phase / AC 220V 13.7A	10	20 Kgf	850~1000
EPIK-1300SW	3000	1800	1200 (1500)	3 Phase / AC 220V 17.7A	19	20 Kgf	1000~1300
EPIK-1800SW	3500	2100	1200 (1500)	3 Phase / AC 220V 17.7A	19	20 Kgf	1150~1800
EPIK-2000SW	3500	2100	1500 (1800)	3 Phase / AC 220V 23.5A	27	40 Kgf	1500~2000
EPIK-2500SW	4000	2500	1500 (1900)	3 Phase / AC 220V 31.4A	30	50 Kgf	2000~2500
EPIK-3000SW	4000	3000	2000	3 Phase / AC 220V 33.3A	100	80 Kgf	2000~4000
EPIK-4000SW	4500	3500	2240	3 Phase / AC 220V 33.3A	100	100 Kgf	2000~4000

All information subject to change without notice for quality improvements.

Dimension

Unit : mm

Model	A	B	C	D	E	F	G	H	I	J	N	Q	R	S	T	U	V	W	X
EPIK-600SW	3390	840	2000	405	145	400	391	1803	1124	205	900	178	1122	578	425	221	1121	400	1549
EPIK-800SW	3697	785	2500	322	90	400	340	1812	1115	235	900	140	1460	602	423	177	1077	462	1538
EPIK-1000SW	4219	797	3000	422	-	400	340	1912	1115	235	900	140	1660	602	422	177	1077	462	1537
EPIK-1300SW	4510	1015	3000	495	-	400	241	2269	1551	255	1200	180	1620	597	511	252	1452	417	2062
EPIK-1800SW	4990	1015	3500	475	-	400	241	2393	1553	290	1200	180	1920	597	511	217	1417	417	2064
EPIK-2000SW	5015	963	3500	553	-	400	526	3071	1975	290	1500	400	1700	932	677	374	1874	532	2652
EPIK-2500SW	5882	1026	4000	813	44	400	625	3163	1988	340	1500	446	2054	1141	705	363	1863	695	2693
EPIK-3000SW	6550	1665	4000	885	-	540	957	4076	2558	385	2000	844	2157	1503	855	449	2449	660	3413

All information subject to change without notice for quality improvements.