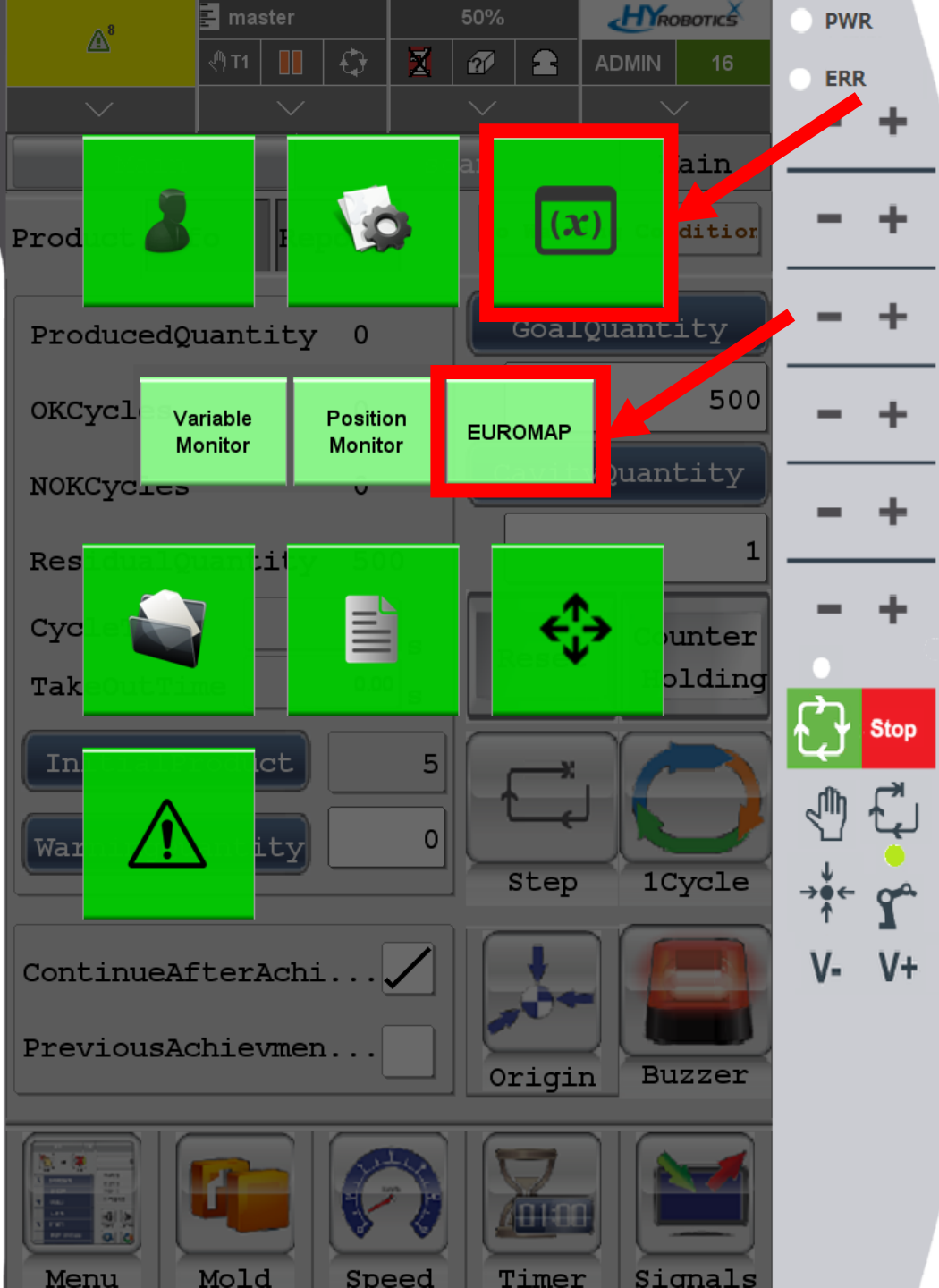


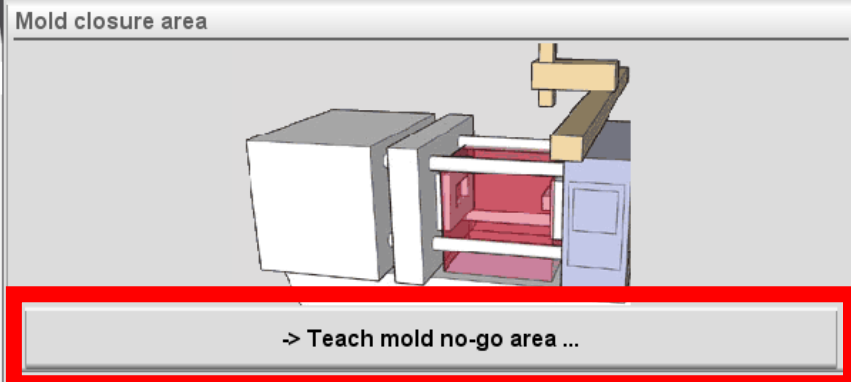
Log in level 16

Press twice fast (double click)





EUROMAP  
EUROMAP selection SEM active



General EUROMAP usage

- Signal validation active
- Restart prog. -> auto mode

Mold monitor settings

Mold monitor active when:

- Mold not open
- Mold close enable
- Mold not over middle pos

Use mold monitor signal source:

- Zone switch feedback input
- Robot mold closure area

Robot is 3D able info

- Is 3D able
- Is in mold closure area

PWR

ERR

- +

- +

- +

- +

- +

- +

- +

- +

Stop

Hand icon

Robot icon

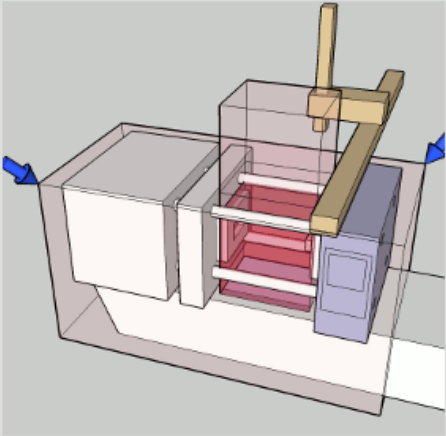
V- V+



EUROMAP

EUROMAP selection   active

Sample picture



Point 1 (any height)

Position at corner 1

x  mm

y  mm

z  mm

>

Point 2 (same height)

Position at diagonal corner 2

x  mm

y  mm

z  mm

>

Detected plane

Detected plane: xy-plane

Information

Data ok, ready to proceed to next step

Cancel

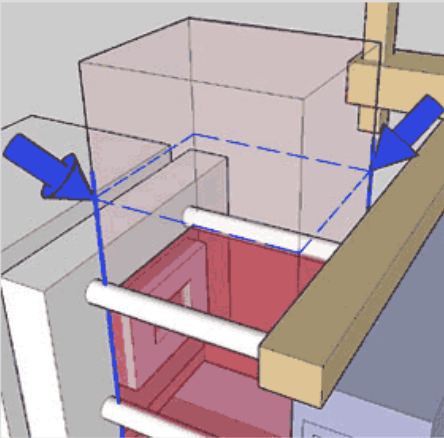
## IMM Area Setting

Please take a picture or take a note of your existing robot values.

EUROMAP

EUROMAP selection **S**EM  active

Sample picture



Point 1 (any height)

Position at corner 1

x  mm

y  mm

z  mm

>

Point 2 (same height)

Position at diagonal corner 2

x  mm

y  mm

z  mm

>

Detected plane

Detected plane: xy-plane

Information

Data ok, ready to proceed to next step

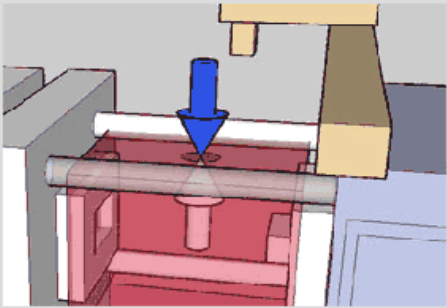
## MOLD Area Setting

Please take a picture or take a note of your existing robot values.

EUROMAP

EUROMAP selection **S**EM  active

Sample pic entry level point



Point entry level height

Entry level position

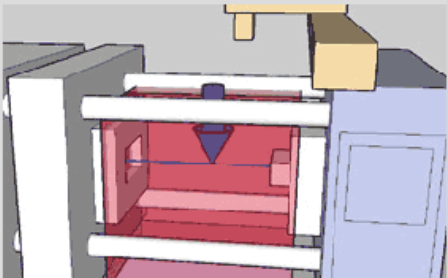
x  mm

y  mm

z  mm

>

Sample picture in mold point



Point in mold

Position in mold

x  mm

y  mm

z  mm

>

Information

Data ok, ready to complete setup

Cancel  Finish

## MOLD Area Height Setting

Please take a picture or take a note of your existing robot values.