

NEXIA-SYCT SERIES

100~4000 Ton (parallel traverse type)

- Feature**
- Injection Molding Machine : 100~4000Ton
 - Servo Motor Axis : Max. 7 axis
 - Motion Guide : High Strength and Low noise LM
 - Crosswise Frame : Double Support Type
 - Vertical Arm Structure : Telescopic Arm(2 step)
 - Controller : Body Attached Controller
 - All Axis : Digital Servo Motor

Power : 1Phase/3Phase AC220V(50/60Hz)
 Driving Method : Digital Servo Motor
 Control Method : Micro Computer
 Air Pressure : 6 kgf/cm²
 Max. Air Pressure : 8 kgf/cm²
 Chuck Rotation : 90°

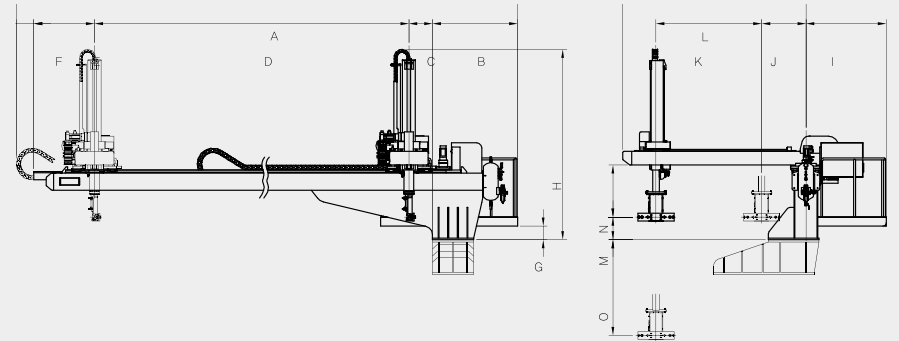


Technical Specification

() is optional.

Model	Traverse (mm)	Vertical (mm)	Crosswise (mm)	Max. Electric Consumption	Air Consumption [l (normal)/Cycle]	Max. Payload (Chuck Included)	I.M.M (Ton)
NEXIA-2000SYCT	3300	800 (950)	650	1Phase AC220V 11.6A	7	8 Kgf	100~250
NEXIA-4000SYCT	3600	1100 (1300)	950	1Phase AC220V 11.6A	7	8 Kgf	280~450
NEXIA-6000SYCT	4000	1300 (1600)	1085	1Phase AC220V 11.6A	16	10 Kgf	400~650
NEXIA-8000SYCT	5000	1600 (1800)	1140	1Phase AC220V 11.6A	22	15 Kgf	550~900
NEXIA-13000SYCT	6000	1800 (2100)	1572	3Phase AC220V 8.4A	35	25 Kgf	1000~1300
NEXIA-20000SYCT	7000	2100 (2500)	1710	3Phase AC220V 11.4A	54	40 Kgf	1500~2000
NEXIA-25000SYCT	8000	2500 (3000)	1920	3Phase AC220V 16.7A	92	50 Kgf	2000~2500
NEXIA-30000SYCT	8000	3000 (3500)	2250	3Phase AC220V 20.6A	100	80 Kgf	2000~4000
NEXIA-40000SYCT	10000	3500	2250	3Phase AC220V 20.6A	100	100 Kgf	2000~4000

All information subject to change without notice for quality improvements.



Dimension

Unit : mm / () mark can be changed by Injection Molding Machine full length.

Model	A	B	C	D	E	F	G	H	I	J	K	L	M	N	O
NEXIA-2000SYCT	(4412)	645	100	(3300)	367	-	250	1318	656	205	650	1135	300	230	500
NEXIA-4000SYCT	(4812)	695	150	(3600)	367	-	250	1477	656	205	950	1435	138	392	962
NEXIA-6000SYCT	(5455)	935	200	(4000)	320	-	284	1798	681	275	1085	1627	178	454	1122
NEXIA-8000SYCT	(6860)	1140	220	(5000)	400	100	414	2078	706	348	1140	1780	200	550	1400
NEXIA-13000SYCT	(7973)	1153	250	(6000)	420	150	135	2466	949	405	1572	2293	179	748	1621
NEXIA-20000SYCT	(9495)	1245	350	(7000)	700	200	160	2781	1175	556	1710	2676	300	792	1800
NEXIA-25000SYCT	(10695)	1245	400	(8000)	800	250	180	3009	1225	616	1920	2977	325	775	2175
NEXIA-30000SYCT	(10728)	1250	400	(8000)	828	250	230	3549	1275	747	2250	3605	417	843	2583

All information subject to change without notice for quality improvements.