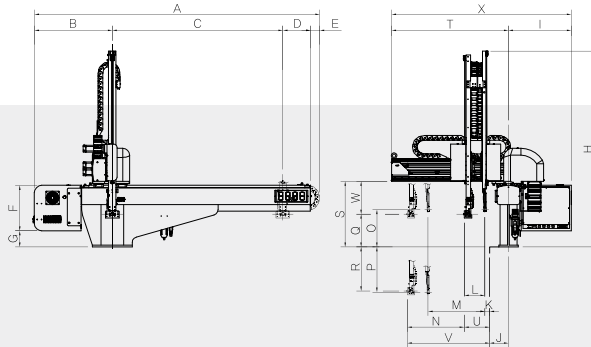


# ZEST-H SERIES

30~650 Ton (high-cycle type / speed 30% improved)

Power : 1Phase AC220V(50/60Hz)  
 Driving Method : Digital Servo Motor  
 Control Method : Micro Computer  
 Air Pressure : 6 kgf/cm<sup>2</sup>  
 Max. Air Pressure : 8 kgf/cm<sup>2</sup>  
 Chuck Rotation : 90°



## Dimension

Unit : mm / ( ) mark signify L Type, [ ] mark signify LL type.

Model	A	B	C	D	E	F	G	H	I	J	K	L	M	N	O	P	Q	R	S	T	U	V	W	X	
ZEST-805H	2114 (2314)	600	1200 (1400)	218	96	350	234	1356	442	100	-	-	-	585	-	-	150	500	419	928	80	665	269	1370	
ZEST-80DH											81	134	450	450	175	526					215				
ZEST-2005H	2509 (2709)	686	1500 (1700)	244	80	400	141	1722	552	165	-	-	-	660	-	-	288	512	576	1027	64	724	288	1579	
ZEST-200DH	[2909]		[1900]								42	182	500	500	328	522					224				
ZEST-3005H	2509 (2709)	686	1500 (1700)	244	80	400	141	1822	552	165	-	-	-	835	-	-	288	662	576	1207	64	899	288	1759	
ZEST-300DH	[2909]		[1900]								42	182	675	675	328	622					224				
ZEST-4005H	2714 (3014)	686	1700 (2000)	244	85	400	141	1972	552	165	-	-	-	835	-	-	288	812	576	1207	64	899	288	1759	
ZEST-400DH											42	182	675	675	328	772					224				

## Technical Specification

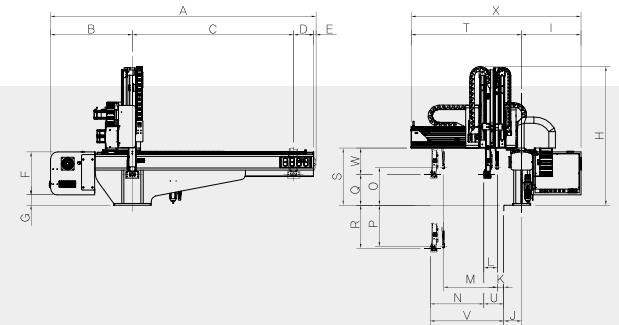
Model	Traverse (mm)			Vertical (mm)		Crosswise (mm)		Max. Electric Consumption	Air Consumption [ℓ (normal)/Cycle]	Max. Payload (Chuck Included)	I.M.M (Ton)
	Standard	L-Type	LL-Type	Main Arm	Sub Arm	Main Arm	Sub Arm				
ZEST-805H	1200	1400	-	650	-	585	-	1Phase / AC 220V S: 6.8A / D: 10.9A	6	3 Kgf	30~80
ZEST-80DH					-	700	450				
ZEST-2005H	1500	1700	1900	800	-	660	-	1Phase / AC 220V S: 6.8A / D: 10.9A	6	5 Kgf	100~250
ZEST-200DH					-	850	500				
ZEST-3005H	1500	1700	1900	950	-	835	-	1Phase / AC 220V S: 6.8A / D: 10.9A	7	5 Kgf	180~300
ZEST-300DH					-	950	675				
ZEST-4005H	1700	2000	-	1100	-	835	-	1Phase / AC 220V S: 6.8A / D: 10.9A	7	5 Kgf	280~450
ZEST-400DH					-	1100	675				

All information subject to change without notice for quality improvements.

# ZEST-II-H SERIES

100~1800 Ton (high-cycle type, telescopic arm (2 step) / speed 30% improved)

Power : 1Phase AC220V(50/60Hz)  
 Driving Method : Digital Servo Motor  
 Control Method : Micro Computer  
 Air Pressure : 6 kgf/cm<sup>2</sup>  
 Max. Air Pressure : 8 kgf/cm<sup>2</sup>  
 Chuck Rotation : 90°



## Dimension

Unit : mm / ( ) mark signify L Type, [ ] mark signify LL type.

Model	A	B	C	D	E	F	G	H	I	J	K	L	M	N	O	P	Q	R	S	T	U	V	W	X	
ZEST-II-2005H	2470 (2670)	762	1500 (1700)	188	20	400	95	1288	552	165	-	-	-	640	-	-	286	514	530	1027	46	686	244	1579	
ZEST-II-200DH	[2870]		[1900]								62	124	500	500	353	498					186				
ZEST-II-3005H	2470 (2670)	762	1500 (1700)	188	20	400	95	1388	552	165	-	-	-	820	-	-	286	664	530	1027	46	686	244	1759	
ZEST-II-300DH	[2870]		[1900]								62	124	680	680	353	598					186				
ZEST-II-4005H	2714 (3014)	762	1700 (2000)	188	65	400	95	1438	552	165	-	-	-	940	-	-	138	962	530	1327	46	986	392	1879	
ZEST-II-400DH											62	124	800	800	209	891					186				
ZEST-II-6005H	3025 (3225)	782	2000 (2200)	138	105	400	197	1747	552	165	-	-	-	1110	-	-	178	1322	632	1487	46	1151	454	2039	
ZEST-II-600DH											62	129	960	960	228	1272					191				
ZEST-II-8005H	3710	855	2500	335	21	400	229	1986	581	235	-	-	-	1150	-	-	84	1516	620	1686	99	1249	536	2267	
ZEST-II-800DH											102	187	960	960	130	1470					289				
ZEST-II-13005H	4201	780	3000	320	102	400	476	2125	605	265	-	-	-	1585	-	-	140	1661	755	2155	124	1709	616	2761	

## Technical Specification

( ) is optional.

Model	Traverse (mm)			Vertical (mm)		Crosswise (mm)		Max. Electric Consumption	Air Consumption [ℓ (normal)/Cycle]	Max. Payload (Chuck Included)	I.M.M (Ton)
	Standard	L-Type	LL-Type	Main Arm	Sub Arm	Main Arm	Sub Arm				
ZEST-II-2005H	1500	1700	1900	800	-	640	-	1Phase / AC 220V S: 9.2A D: 13.3A	6	8 Kgf	100~250
ZEST-II-200DH					-	850	500				
ZEST-II-3005H	1500	1700	1900	950	-	820	-	1Phase / AC 220V S: 9.2A D: 13.3A	7	8 Kgf	180~300
ZEST-II-300DH					-	950	680				
ZEST-II-4005H	1700	2000	-	1100 (1300)	-	940	-	1Phase / AC 220V S: 9.2A D: 13.3A	7	8 Kgf	280~450
ZEST-II-400DH					-	1100	800				
ZEST-II-6005H	2000	2200	-	1500	-	1110	-	1Phase / AC 220V S: 9.2A D: 13.3A	8	10 Kgf	400~650
ZEST-II-600DH					-	1500	960				
ZEST-II-8005H	2500	-	-	1600	-	1150	-	1Phase / AC 220V S: 13.0A D: 17.1A	22	15 Kgf	550~900
ZEST-II-800DH					-	1600	960				
ZEST-II-13005H	3000	-	-	1800	-	1585	-	1Phase / AC 220V 13.0A	25	20 Kgf	1000~1800

All information subject to change without notice for quality improvements.