

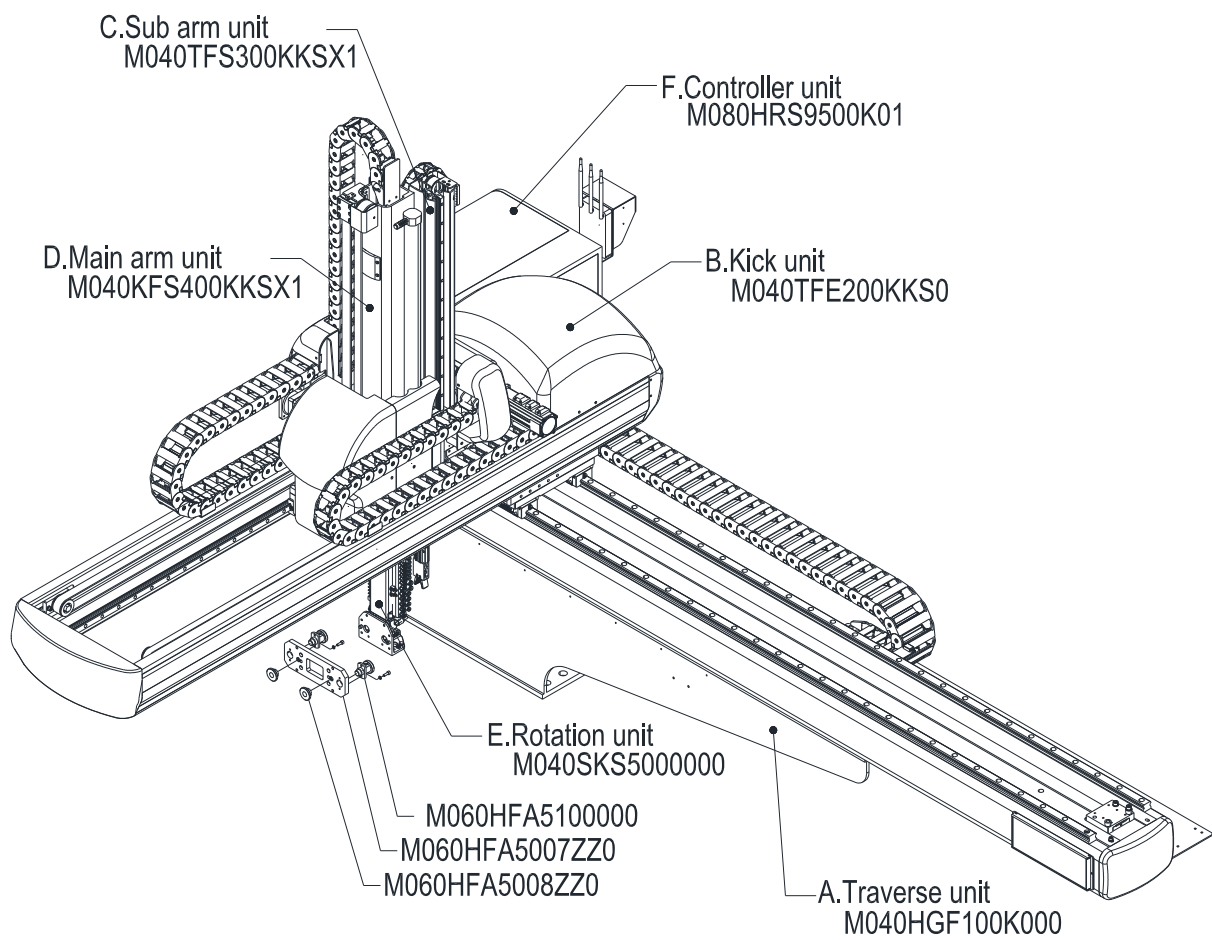
# PARTS CATALOG

## TAKE-OUT ROBOT

- EPIK-V-400DL (M040TFF000KKSX1)

Ver. 1.0

# EPIK-V-400DL (M040TFF000KKSX1)

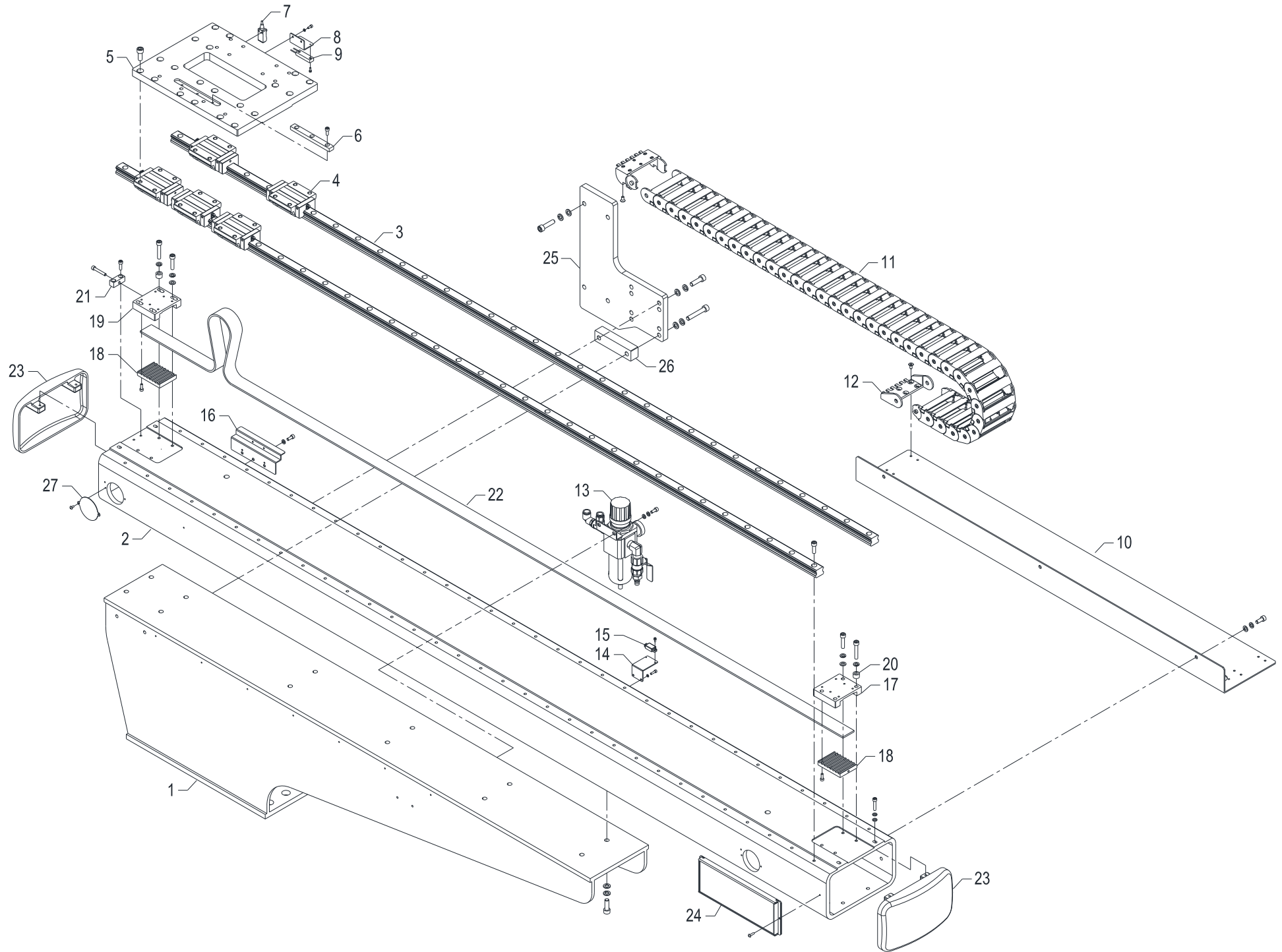


# Contents

<b>A. Traverse unit (M040HGF100K000)</b>	<b>4</b>
<b>B. Kick unit (M040TFE200KKS0)</b>	<b>6</b>
<b>C. Sub Arm unit (M040TFS300KKSX1)</b>	<b>10</b>
<b>D. Main Arm unit (M040KFS400KKSX1)</b>	<b>14</b>
<b>E. Rotation unit (M040SKS5000000)</b>	<b>18</b>
<b>F. Controller unit (M080HRS9500K01)</b>	<b>20</b>

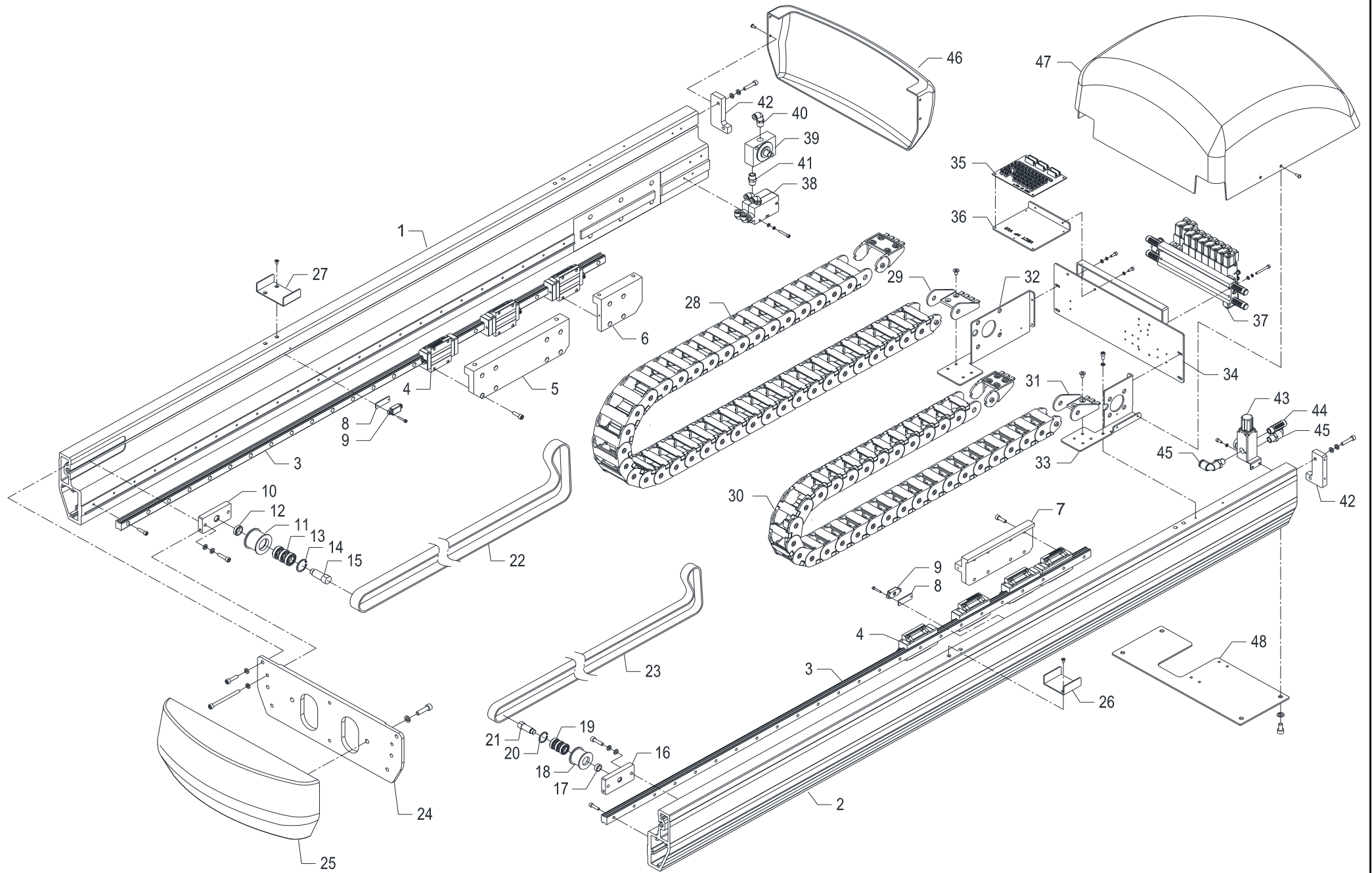
- 이 책의 내용에 관해서는 향후 예고 없이 변경될 수 있습니다.
- 이 책에 기재되어 있는 데이터는, 이 기계에 관계된 참고 데이터로서 기재된 것이며 법적 책임을 가지고 있는 것은 아닙니다.
- 고객측의 개조, 분해, 오용 및 설치 환경 부족 등, 당사가 관여할 수 없는 상황에서 발생하는 손실에 관한 책임은 지지 않습니다.
- 당사에서는 이 장치의 운용을 이유로 하는 손실, 잘못된 이익 등의 청구에 관해서는 어떠한 책임도 질 수 없다는 것을 양해해 주십시오.
- 이 책의 모든 저작권은 한양로보틱스(주)에 귀속됩니다. 이 책 내용의 전체 또는 일부를 당사의 허가 없이 복제, 복사, 전재(全載)하는 일은 저작권 및 출판사의 권리를 침해하는 일입니다.

# A. Traverse unit (M040HGF100K000)





# B. Kick unit (M040TFE200KKS0)

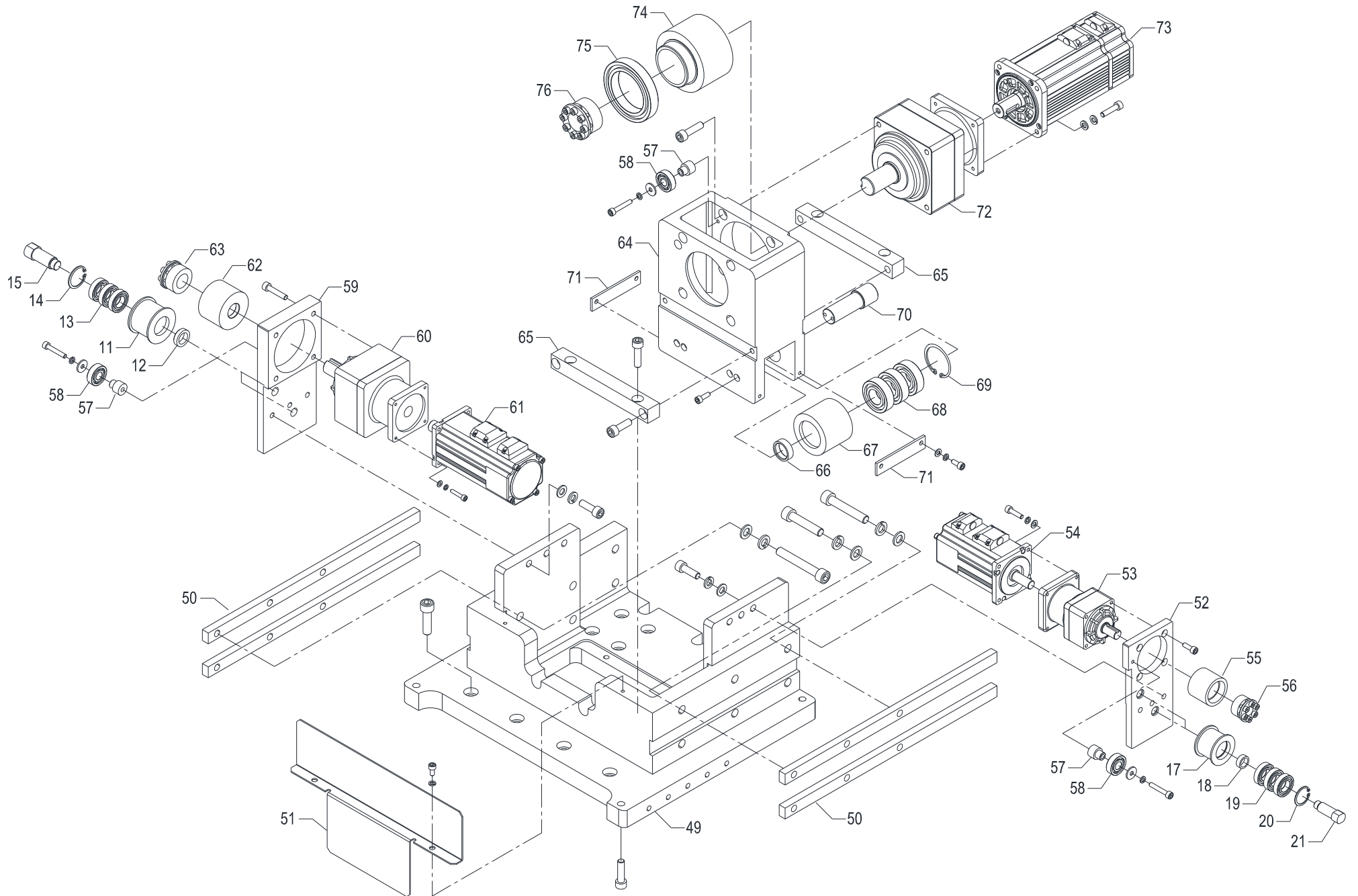


# B. Kick unit (M040TFE200KKS0)

No.	PARTS No.	PARTS NAME	Q'TY	REMARKS
B-1	M040HFA2001MC0	File	1	
B-2	M040HFA2002MC0	File	1	
B-3	PLMRSHS201420L	LM rail	2	
B-4	PLMBSHS20CKZ18	LM block	7	
B-5	M035HAA4008ZZ0	Plate A	1	
B-6	M015MAB4008ZZ0	Plate A	1	
B-7	M060MJA2008ZZ0	Plate	1	
B-8	M015MAB2035MC0	Nut key	2	
B-9	PSSMRS52SHC888	Magnet	2	
B-10	M035HAA2018ZZ0	Tention shaft	1	
B-11	M035HAA2019ZZ0	Timing pulley	3	
B-12	M035HAA2035ZZ0	Collar	3	
B-13	PBRA6902ZZ8888	Bearing	9	
B-14	PRGH028H888888	Snap ring	3	
B-15	M035HAA2034ZZ0	Shaft	3	
B-16	M035HAA2045ZZ0	Tention block	1	
B-17	M035HAA2044ZZ0	Collar	3	
B-18	M035HAA2043ZZ0	Idle roller	3	
B-19	PBRA6901ZZ8888	Bearing	9	
B-20	PRGH024H888888	Snap ring	3	
B-21	M035HAA2042ZZ0	Shaft	3	
B-22	PBLTU5M2088888	Timing belt	3355	
B-23	PBLTU5M2588888	Timing belt	3280	
B-24	M035HAA2020ZZ0	Pull out cover	1	
B-25	M035HAA2021PW0	Cover	1	
B-26	M015MAB2037MC0	Bracket	1	
B-27	M015MAB2036MC0	Bracket	1	
B-28	PCVH4502B09539	Cableveyor link	39	
B-29	PCVE4502300088	Cableveyor end bracket	1	
B-30	PCVH4501B07532	Cableveyor link	32	
B-31	PCVE4501300088	Cableveyor end bracket	1	
B-32	M040HFA2024ZZ0	Solenoid valve boxbase B	1	

No.	PARTS No.	PARTS NAME	Q'TY	REMARKS
B-33	M040HFA2023ZZ0	Solenoid valve boxbase A	1	
B-34	M040HFA2029ZZ0	Solenoid valve boxbase C	1	
B-35	PBDCIFKEBA8888	Board	1	
B-36	M040FFA2038ZZ0	Plate	1	
B-37	M040TJA2100000	Solenoid valve unit	1	
B-38	PAXVAV015HS888	Vacuum pump	2	
B-39	PAXVAF058888888	Vacuum air filter	1	
B-40	PAXFEL06140888	Fitting	1	
B-41	PAXFDOUBLEPT14	Fitting	1	
B-42	M040HFA2047ZZ0	Cover block	2	
B-43	PAXSVEX113302G	Regulator	1	
B-44	PAXZSILENCER14	Silencer	1	
B-45	PAXFEL12140888	Fitting	2	
B-46	M040HFA2046MD0	Cover	1	
B-47	M040HFA2027MD0	Solbox cover	1	
B-48	M040WFA2039ZZ0	Cableveyor plate	1	
B-49	M040HFA2003MC0	Slide base	1	
B-50	M035HAA2014ZZ0	Nut key	4	
B-51	M040HFA2033ZZ0	Cover	1	
B-52	M035HAA2016ZZ0	Motor plate	1	
B-53	PRESSF5BYA0288	Reducer	1	
B-54	PMTBEMJ02APB22	Servo motor	1	
B-55	M030SBA2040ZZ0	Pulley	1	
B-56	PPLMMA12268888	Power lock	1	
B-57	M035HAA2026ZZ0	Guide shaft	3	
B-58	PBRA6000ZZ8888	Bearing	3	
B-59	M035HAA2015ZZ0	Motor plate	1	
B-60	PRESSFS9CPB048	Reducer	1	
B-61	PMTBEMJ04APB22	Servo motor	1	
B-62	M040HFB2017ZZ0	Pulley	1	
B-63	PPLMMA19338888	Power lock	1	
B-64	M040HFA2004MC0	Horizontal motor Bracket	1	

# B. Kick unit (M040TFE200KKS0)



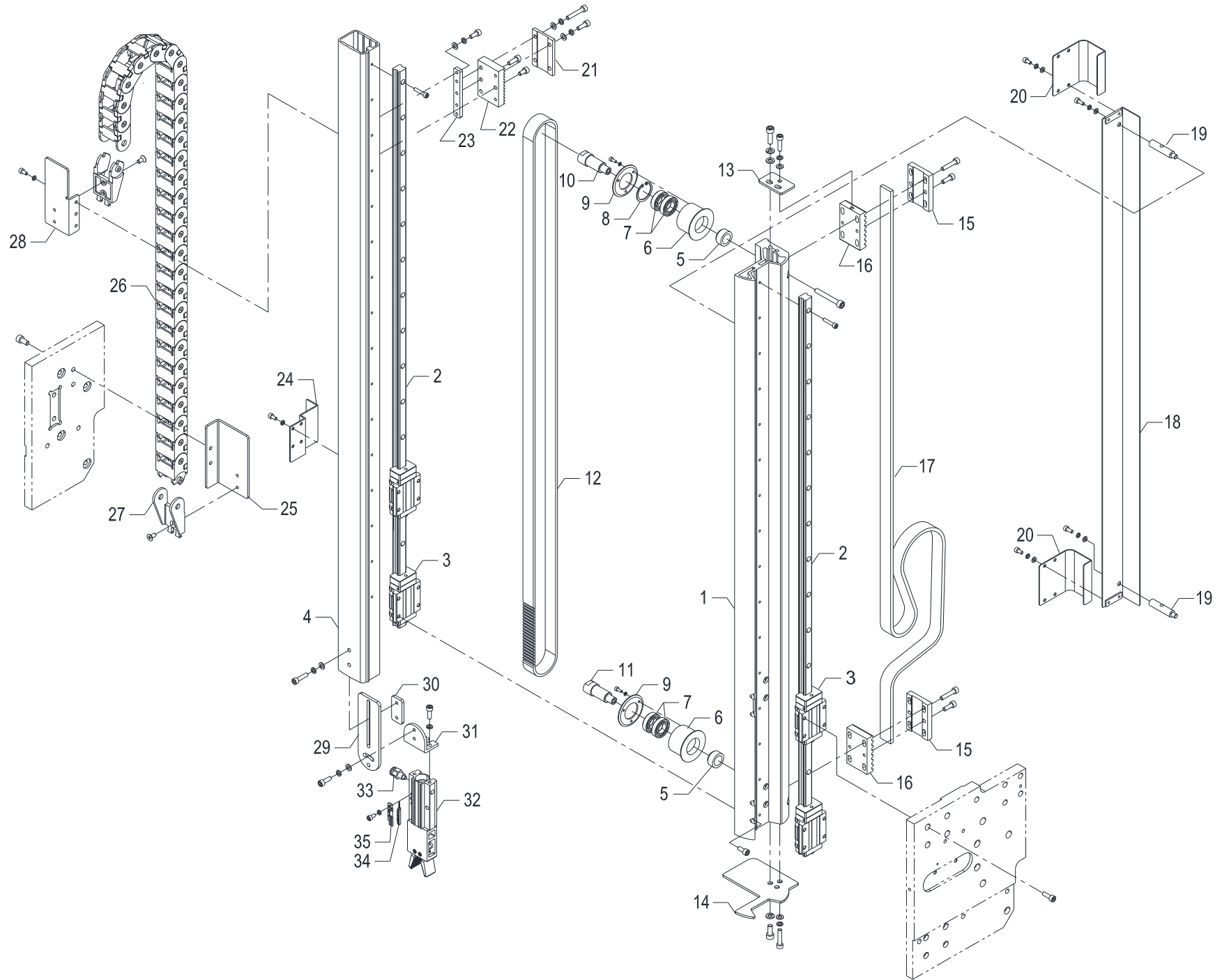


**B. Kick unit (M040TFE200KKS0)**

No.	PARTS No.	PARTS NAME	Q'TY	REMARKS
B-65	M035HAA2005ZZ0	Base block	2	
B-66	M035HAA2008ZZ0	Collar	2	
B-67	M035HAA2010ZZ0	Idle roller	2	
B-68	PBRA6004ZZ8888	Bearing	6	
B-69	PRGH042H888888	Snap ring	2	
B-70	M040HFA2007ZZ0	Idle shaft	2	
B-71	M040HFA2028MC0	Block	2	
B-72	PRESSFLS9DPB08	Reducer	1	
B-73	PMTBEMJ10APB22	Servo motor	1	
B-74	M040HFA2006ZZ0	Timing pulley	1	
B-75	PBRA6911ZZ8888	Bearing	1	
B-76	PPLMMA24428888	Power lock	1	

No.	PARTS No.	PARTS NAME	Q'TY	REMARKS

# C. Sub Arm unit (M040TFS300KKSX1)

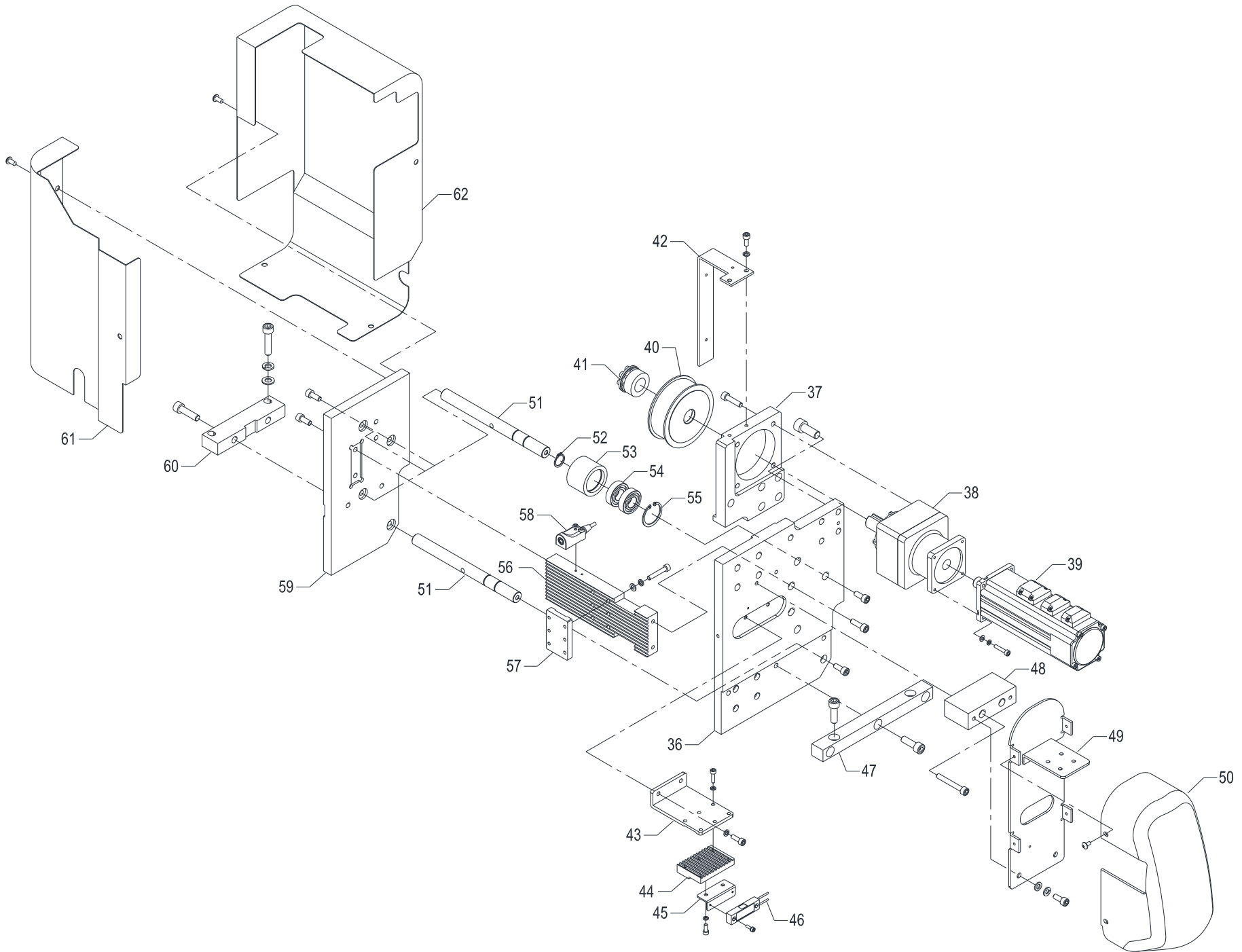


# C. Sub Arm unit (M040TFS300KKSX1)

No.	PARTS No.	PARTS NAME	Q'TY	REMARKS
C-1	M060KJB3006MC0	File	1	
C-2	PLMRSHS150940L	LM rail	2	
C-3	PLMBSHS15CKZ18	LM block	4	
C-4	M040TFS3007MC0	File	1	
C-5	M015MAB3018ZZ0	Collar	2	
C-6	M015MAB3021ZZ0	Roller	2	
C-7	PBRA6902ZZ8888	Bearing	4	
C-8	PRGH028H888888	Snap ring	2	
C-9	M015MAB3015ZZ0	Timing pulley	2	
C-10	M015MAB3020ZZ0	Shaft	1	
C-11	M015MAB3019ZZ0	Shaft	1	
C-12	PBLTU5M2088888	Timing belt	1910	
C-13	M015MAB3044ZZ0	Plate	1	
C-14	M015MAB3037ZZ0	Plate	1	
C-15	M015MAB3016ZZ0	Gripper block	2	
C-16	M020KFC3033MC0	Gripper	2	
C-17	PBLTU8M2088888	Timing belt	1392	
C-18	M060KJB3051ZZ0	Belt cover	1	
C-19	M015MAB3025ZZ0	Shaft	2	
C-20	M015MAB3038ZZ0	Belt cover	2	
C-21	M015MAB3017ZZ0	Gripper block	1	
C-22	M015MAB3014MC0	Belt gripper	1	
C-23	M015MAB3010ZZ0	Gripper nut	1	
C-24	M015MAB3039ZZ0	Touch plate	1	
C-25	M015MAB3022ZZ0	Bracket	1	
C-26	PCVH3202B05088	Cableveyor link	29	
C-27	PCVE3202300088	Cableveyor end bracket	1	
C-28	M015MAB3023ZZ0	Bracket	1	
C-29	M015MAA3902MF0	Gripper bracket	1	
C-30	M015MAA3903MF0	Gripper bracket nut	1	
C-31	MS55AT34005ZW0	Gripper bracket B	1	
C-32	PAXAHYCITYPE88	Hy air chuck(I-type)	1	

No.	PARTS No.	PARTS NAME	Q'TY	REMARKS
C-33	PAXFEC06M58888	Fitting	1	
C-34	PSSMSHYCDA9388	Auto switch	1	
C-35	MS55AT44302ZZ0	Sensor bracket	1	
C-36	M060KJB3001MC0	Plate	1	
C-37	M015MAB3013ZZ0	Plate	1	
C-38	PRESSFS9CPB048	Reducer	1	
C-39	PMTBEMJ04APB24	Servo motor	1	
C-40	M030KFA3012ZZ0	Timing pulley	1	
C-41	PPLMMA19338888	Power lock	1	
C-42	M015MAB4024ZZ0	Bracket	1	
C-43	M015MAB3032ZZ1	Bracket	1	
C-44	M035HAA3031MC0	Belt gripper	1	
C-45	M015MAB4040ZZ0	Bracket	1	
C-46	PSSMRS52SH8888	Sensor	1	
C-47	M060MJA3033ZZ0	Plate	1	
C-48	M060MJA3005ZZ0	Block	1	
C-49	M015MAB3046ZZ0	Cableveyor fixed bracket	1	
C-50	M015MAB3047MD0	Cover	1	
C-51	M015MAB3009ZZ0	Shaft	4	
C-52	PRGS015S888888	Snap ring	3	
C-53	M015MAB3011ZZ0	Roller	3	
C-54	PBRA6002ZZ8888	Bearing	6	
C-55	PRGH032H888888	Snap ring	3	
C-56	M015MAB3004MC0	Belt gripper	1	
C-57	M015MAB3042ZZ0	Gripper block	1	
C-58	PSSRHYP18S5NAF	Sensor	1	
C-59	M015MAB3003MC0	Plate	1	
C-60	M015MAB4005ZZ0	Plate A	1	
C-61	M015MAB3049ZZ0	Cover	1	
C-62	M015MAB3048ZZ0	Cover	1	

# C. Sub Arm unit (M040TFS300KKSX1)

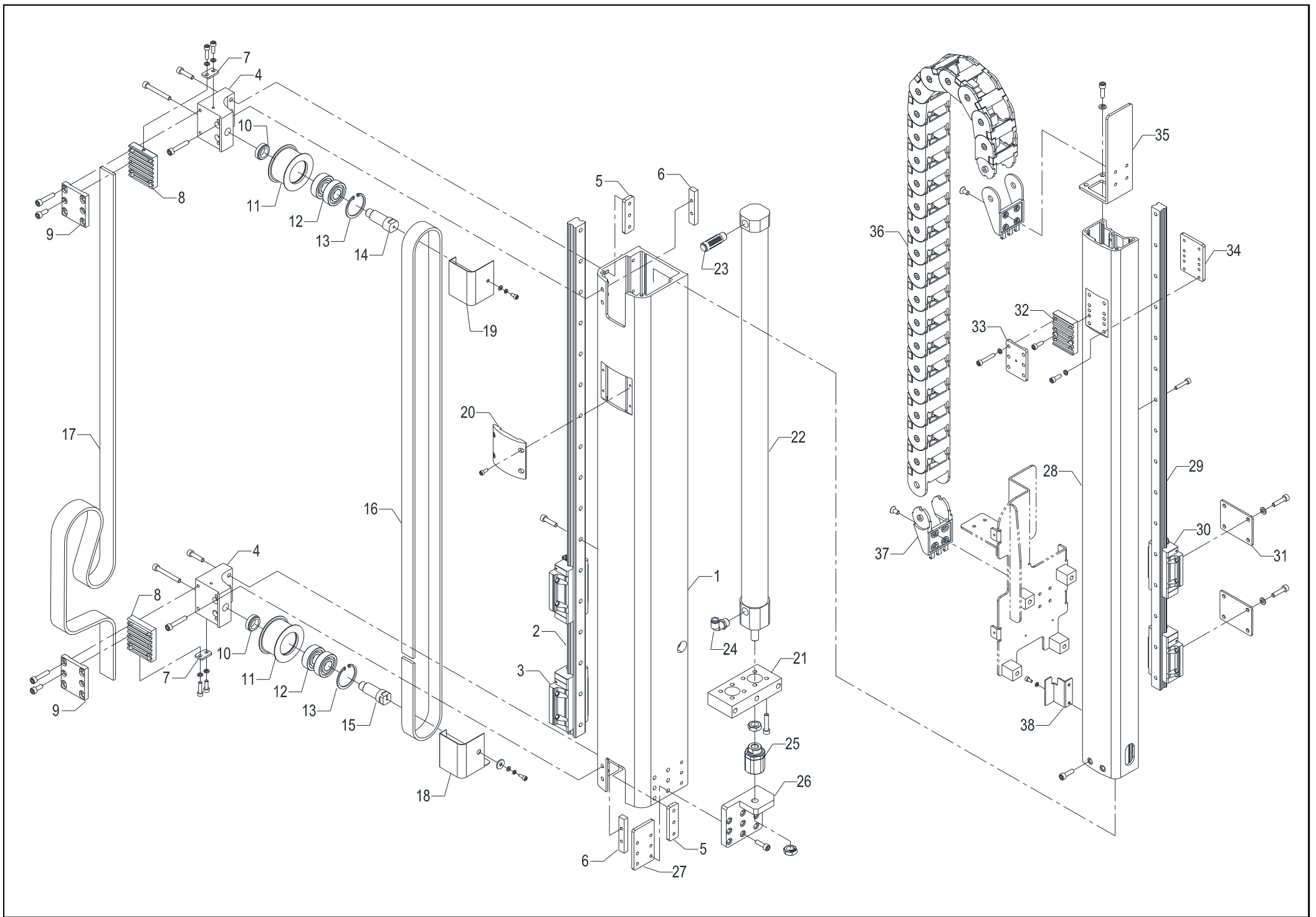


# C. Sub Arm unit (M040TFS300KKSX1)

No.	PARTS No.	PARTS NAME	Q'TY	REMARKS
C-1	M060KJB3006MC0	File	1	
C-2	PLMRSHS150940L	LM rail	2	
C-3	PLMBSHS15CKZ18	LM block	4	
C-4	M040TFS3007MC0	File	1	
C-5	M015MAB3018ZZ0	Collar	2	
C-6	M015MAB3021ZZ0	Roller	2	
C-7	PBRA6902ZZ8888	Bearing	4	
C-8	PRGH028H888888	Snap ring	2	
C-9	M015MAB3015ZZ0	Timing pulley	2	
C-10	M015MAB3020ZZ0	Shaft	1	
C-11	M015MAB3019ZZ0	Shaft	1	
C-12	PBLTU5M2088888	Timing belt	1910	
C-13	M015MAB3044ZZ0	Plate	1	
C-14	M015MAB3037ZZ0	Plate	1	
C-15	M015MAB3016ZZ0	Gripper block	2	
C-16	M020KFC3033MC0	Gripper	2	
C-17	PBLTU8M2088888	Timing belt	1392	
C-18	M060KJB3051ZZ0	Belt cover	1	
C-19	M015MAB3025ZZ0	Shaft	2	
C-20	M015MAB3038ZZ0	Belt cover	2	
C-21	M015MAB3017ZZ0	Gripper block	1	
C-22	M015MAB3014MC0	Belt gripper	1	
C-23	M015MAB3010ZZ0	Gripper nut	1	
C-24	M015MAB3039ZZ0	Touch plate	1	
C-25	M015MAB3022ZZ0	Bracket	1	
C-26	PCVH3202B05088	Cableveyor link	29	
C-27	PCVE3202300088	Cableveyor end bracket	1	
C-28	M015MAB3023ZZ0	Bracket	1	
C-29	M015MAA3902MF0	Gripper bracket	1	
C-30	M015MAA3903MF0	Gripper bracket nut	1	
C-31	MS55AT34005ZW0	Gripper bracket B	1	
C-32	PAXAHYCITYPE88	Hy air chuck(I-type)	1	

No.	PARTS No.	PARTS NAME	Q'TY	REMARKS
C-33	PAXFEC06M58888	Fitting	1	
C-34	PSSMSHYCDA9388	Auto switch	1	
C-35	MS55AT44302ZZ0	Sensor bracket	1	
C-36	M060KJB3001MC0	Plate	1	
C-37	M015MAB3013ZZ0	Plate	1	
C-38	PRESSFS9CPB048	Reducer	1	
C-39	PMTBEMJ04APB24	Servo motor	1	
C-40	M030KFA3012ZZ0	Timing pulley	1	
C-41	PPLMMA19338888	Power lock	1	
C-42	M015MAB4024ZZ0	Bracket	1	
C-43	M015MAB3032ZZ1	Bracket	1	
C-44	M035HAA3031MC0	Belt gripper	1	
C-45	M015MAB4040ZZ0	Bracket	1	
C-46	PSSMRS52SH8888	Sensor	1	
C-47	M060MJA3033ZZ0	Plate	1	
C-48	M060MJA3005ZZ0	Block	1	
C-49	M015MAB3046ZZ0	Cableveyor fixed bracket	1	
C-50	M015MAB3047MD0	Cover	1	
C-51	M015MAB3009ZZ0	Shaft	4	
C-52	PRGS015S888888	Snap ring	3	
C-53	M015MAB3011ZZ0	Roller	3	
C-54	PBRA6002ZZ8888	Bearing	6	
C-55	PRGH032H888888	Snap ring	3	
C-56	M015MAB3004MC0	Belt gripper	1	
C-57	M015MAB3042ZZ0	Gripper block	1	
C-58	PSSRHYP18S5NAF	Sensor	1	
C-59	M015MAB3003MC0	Plate	1	
C-60	M015MAB4005ZZ0	Plate A	1	
C-61	M015MAB3049ZZ0	Cover	1	
C-62	M015MAB3048ZZ0	Cover	1	

# D. Main Arm unit (M040KFS400KKSX1)

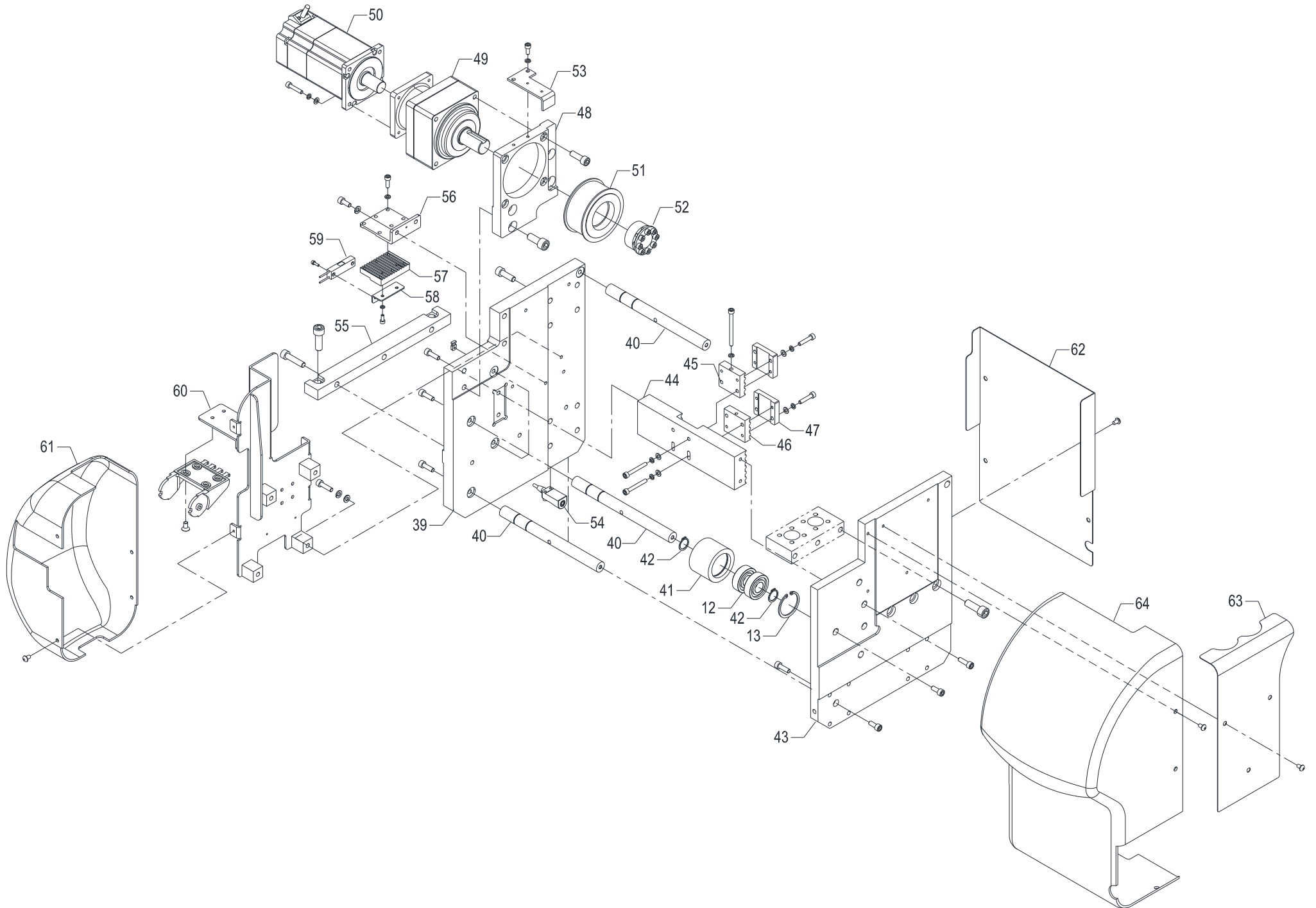


# D. Main Arm unit (M040KFS400KKSX1)

No.	PARTS No.	PARTS NAME	Q'TY	REMARKS
D-1	M040KFS4006MCXA	File	1	
D-2	PLMRSHS250990L	LM rail	1	
D-3	PLMBSHS25CKZ18	LM block	2	
D-4	M035HAA4019ZZ0	Plate A	2	
D-5	M035HAA4022ZZ0	Plate	2	
D-6	M035HAA4023ZZ0	Nut	2	
D-7	M035HAA4035ZZ0	Plate	2	
D-8	M040HFA4033MC0	Belt gripper	2	
D-9	M035HAA4016ZZ0	Gripper block	2	
D-10	M035HAA4018ZZ0	Collar	2	
D-11	M035HAA4021ZZ0	Roller	2	
D-12	PBRA6203ZZ8888	Bearing	10	
D-13	PRGH040H888888	Snap ring	5	
D-14	M035HAA4020ZZ0	Shaft	1	
D-15	M035HAA4047ZZ0	Shaft	1	
D-16	PBLTA102588888	Timing belt	2020	
D-17	PBLTU8M3088888	Timing belt	1472	
D-18	M035HAA4024ZZ0	Cover	1	
D-19	M035HAA4025ZZ0	Cover	1	
D-20	M040HFA4048MC0	Gripper block	1	
D-21	M035HAA4026MC0	Block	1	
D-22	PAXA3528506788	Cylinder	1	
D-23	PAXZSILENCER14	Silencer	1	
D-24	PAXFEL08140888	Fitting	1	
D-25	PAXFKM12X12588	Floating joint	1	
D-26	M035HAA4027ZZ0	Block	1	
D-27	M035HAA4028ZZ0	Block	1	
D-28	M040KFS4007MCXA	File	1	
D-29	PLMRSHS200930L	LM rail	1	
D-30	PLMBSHS20CKZ18	LM block	2	
D-31	M035HAA4041ZZ0	Plate	2	
D-32	M035HAA4014MC0	Belt gripper	1	

No.	PARTS No.	PARTS NAME	Q'TY	REMARKS
D-33	M035HAA4017ZZ0	Gripper block	1	
D-34	M035HAA4010ZZ0	Gripper nut	1	
D-35	M080HRE4056ZZ0	Bracket	1	
D-36	PCVH4501B07588	Cableveyor link	23	
D-37	PCVE4501300088	Cableveyor end bracket	1	
D-38	M035HAA4040ZZ0	Plate	1	
D-39	M040HFA4001ZZ0	Plate A	1	
D-40	M035HAA4009ZZ0	Shaft	5	
D-41	M035HAA4011ZZ0	Roller	3	
D-42	PRGS017S888888	Snap ring	6	
D-43	M040HFA4003ZZ0	Plate	1	
D-44	M040HFA4004MC0	Belt gripper	1	
D-45	M040HFA4014MC0	Belt gripper	1	
D-46	M040HFA4015MC0	Belt gripper	1	
D-47	M040HFA4044ZZ0	Gripper block	2	
D-48	M035HAA4013ZZ0	Plate	1	
D-49	PRESSFS9DPB088	Reducer	1	
D-50	PMTBEMJ10APB24	Servo motor	1	
D-51	M040HFB4012ZZ0	Timing pulley	1	
D-52	PPLMMA24428888	Power lock	1	
D-53	M040HFA4024ZZ0	Bracket	1	
D-54	PSSRHYP18S5NAF	Sensor	1	
D-55	M035HAA4005ZZ0	Plate A	1	
D-56	M035HAA4032ZZ0	Belt gripper	1	
D-57	M035HAA4031MC0	Belt gripper	1	
D-58	M015MAB4040ZZ0	Bracket	1	
D-59	PSSMRS52SH8888	Magnet sensor	1	
D-60	M040HFA4037ZZXA	Bracket	1	
D-61	M040HFA4039MD0	Cover	1	
D-62	M035HAA4043ZZ0	Cover	1	
D-63	M040HFA4055ZZ0	Cover	1	
D-64	M040HFA4042MD0	Cover	1	

# D. Main Arm unit (M040KFS400KKSX1)



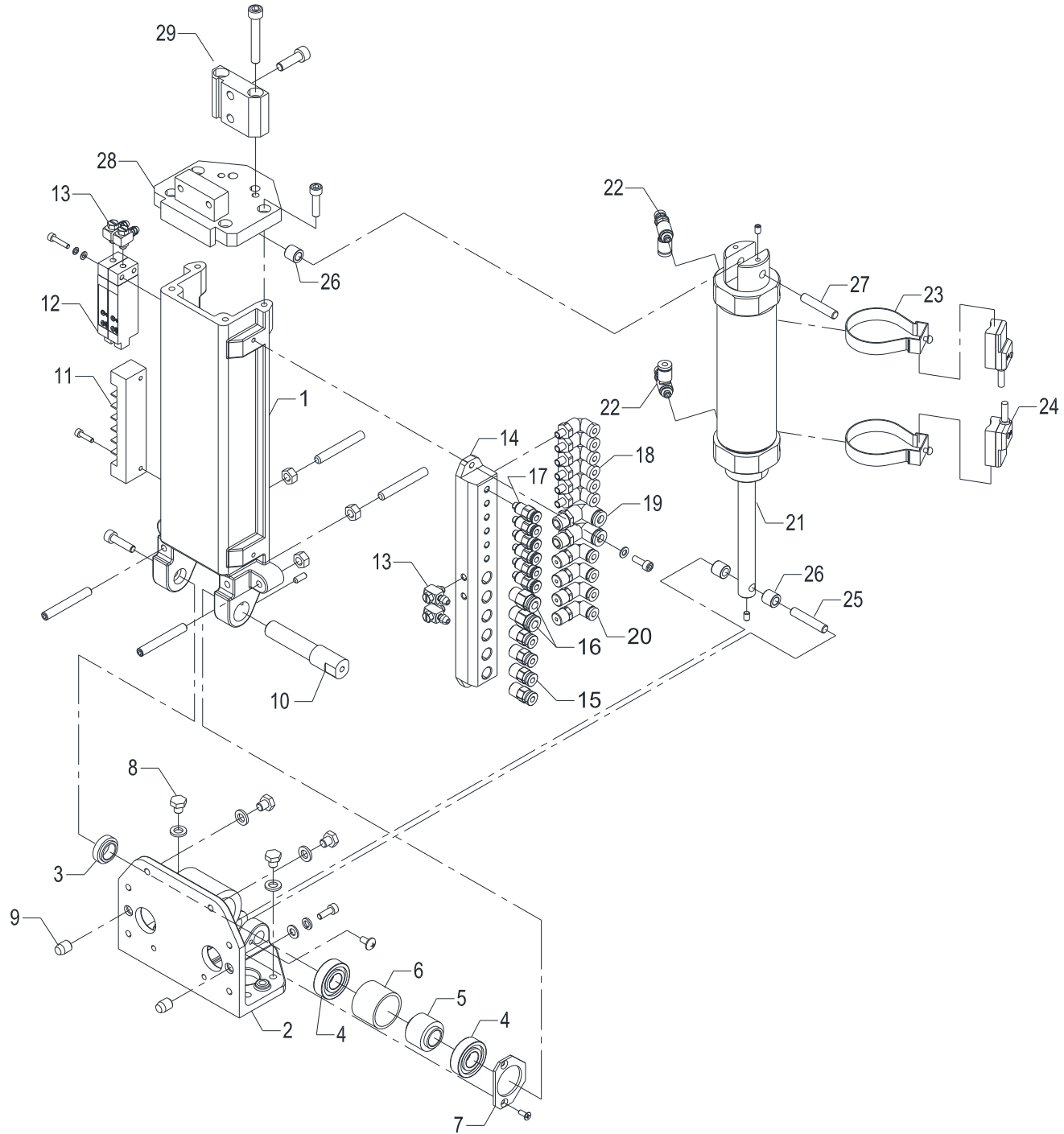


# D. Main Arm unit (M040KFS400KKSX1)

No.	PARTS No.	PARTS NAME	Q'TY	REMARKS
D-1	M040KFS4006MCXA	File	1	
D-2	PLMRSHS250990L	LM rail	1	
D-3	PLMBSHS25CKZ18	LM block	2	
D-4	M035HAA4019ZZ0	Plate A	2	
D-5	M035HAA4022ZZ0	Plate	2	
D-6	M035HAA4023ZZ0	Nut	2	
D-7	M035HAA4035ZZ0	Plate	2	
D-8	M040HFA4033MC0	Belt gripper	2	
D-9	M035HAA4016ZZ0	Gripper block	2	
D-10	M035HAA4018ZZ0	Collar	2	
D-11	M035HAA4021ZZ0	Roller	2	
D-12	PBRA6203ZZ8888	Bearing	10	
D-13	PRGH040H888888	Snap ring	5	
D-14	M035HAA4020ZZ0	Shaft	1	
D-15	M035HAA4047ZZ0	Shaft	1	
D-16	PBLTA102588888	Timing belt	2020	
D-17	PBLTU8M3088888	Timing belt	1472	
D-18	M035HAA4024ZZ0	Cover	1	
D-19	M035HAA4025ZZ0	Cover	1	
D-20	M040HFA4048MC0	Gripper block	1	
D-21	M035HAA4026MC0	Block	1	
D-22	PAXA3528506788	Cylinder	1	
D-23	PAXZSILENCER14	Silencer	1	
D-24	PAXFEL08140888	Fitting	1	
D-25	PAXFKM12X12588	Floating joint	1	
D-26	M035HAA4027ZZ0	Block	1	
D-27	M035HAA4028ZZ0	Block	1	
D-28	M040KFS4007MCXA	File	1	
D-29	PLMRSHS200930L	LM rail	1	
D-30	PLMBSHS20CKZ18	LM block	2	
D-31	M035HAA4041ZZ0	Plate	2	
D-32	M035HAA4014MC0	Belt gripper	1	

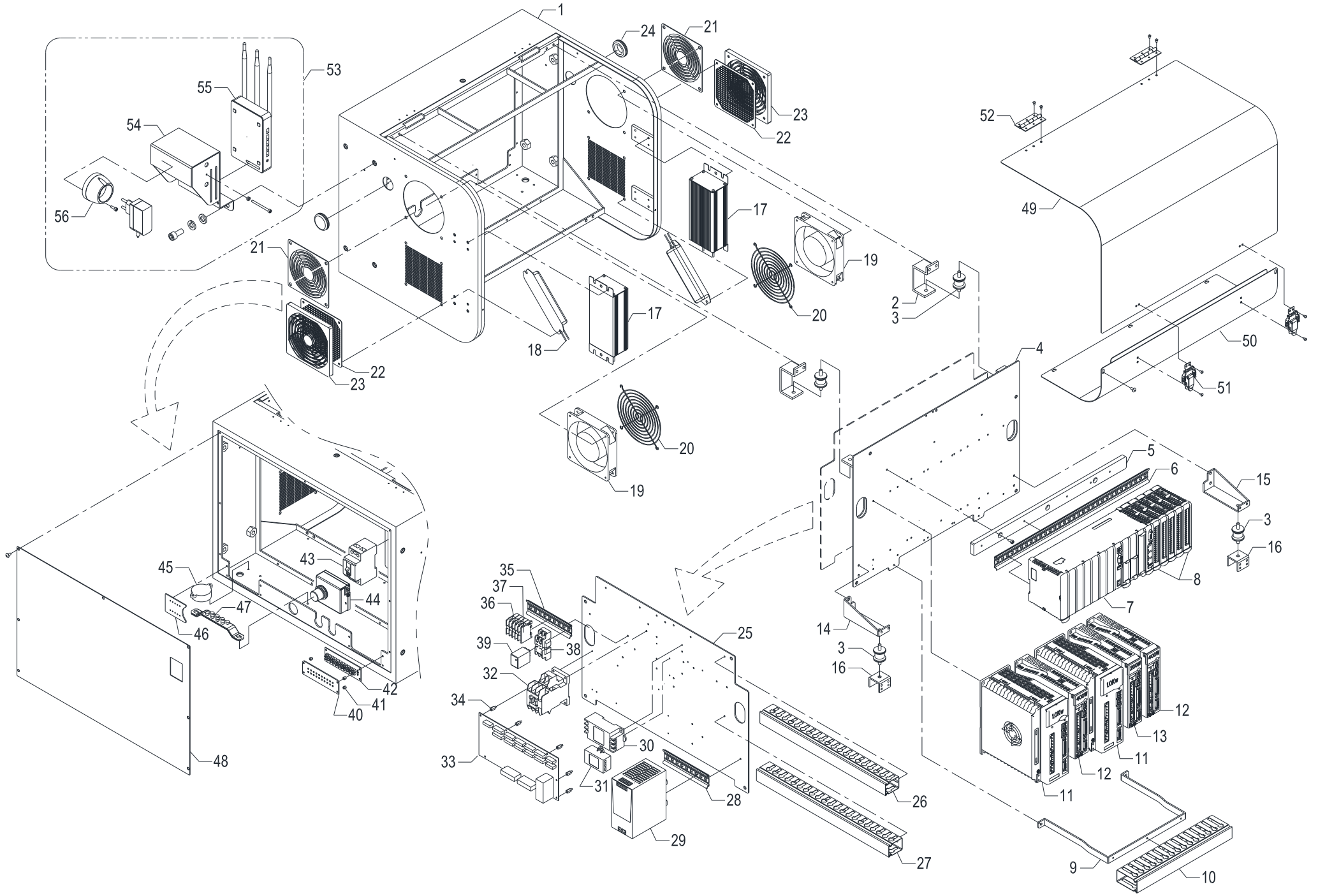
No.	PARTS No.	PARTS NAME	Q'TY	REMARKS
D-33	M035HAA4017ZZ0	Gripper block	1	
D-34	M035HAA4010ZZ0	Gripper nut	1	
D-35	M080HRE4056ZZ0	Bracket	1	
D-36	PCVH4501B07588	Cableveyor link	23	
D-37	PCVE4501300088	Cableveyor end bracket	1	
D-38	M035HAA4040ZZ0	Plate	1	
D-39	M040HFA4001ZZ0	Plate A	1	
D-40	M035HAA4009ZZ0	Shaft	5	
D-41	M035HAA4011ZZ0	Roller	3	
D-42	PRGS017S888888	Snap ring	6	
D-43	M040HFA4003ZZ0	Plate	1	
D-44	M040HFA4004MC0	Belt gripper	1	
D-45	M040HFA4014MC0	Belt gripper	1	
D-46	M040HFA4015MC0	Belt gripper	1	
D-47	M040HFA4044ZZ0	Gripper block	2	
D-48	M035HAA4013ZZ0	Plate	1	
D-49	PRESSFS9DPB088	Reducer	1	
D-50	PMTBEMJ10APB24	Servo motor	1	
D-51	M040HFB4012ZZ0	Timing pulley	1	
D-52	PPLMMA24428888	Power lock	1	
D-53	M040HFA4024ZZ0	Bracket	1	
D-54	PSSRHYP18S5NAF	Sensor	1	
D-55	M035HAA4005ZZ0	Plate A	1	
D-56	M035HAA4032ZZ0	Belt gripper	1	
D-57	M035HAA4031MC0	Belt gripper	1	
D-58	M015MAB4040ZZ0	Bracket	1	
D-59	PSSMRS52SH8888	Magnet sensor	1	
D-60	M040HFA4037ZZXA	Bracket	1	
D-61	M040HFA4039MD0	Cover	1	
D-62	M035HAA4043ZZ0	Cover	1	
D-63	M040HFA4055ZZ0	Cover	1	
D-64	M040HFA4042MD0	Cover	1	

# E. Rotation unit (M040SKS5000000)





# F. Controller unit (M080HRS9500K01)



# F. Controller unit (M080HRS9500K01)

No.	PARTS No.	PARTS NAME	Q'TY	REMARKS
F-1	M080JPE9002ZZ1	Box	1	
F-2	M020HFA9004ZZ0	Controller bracket	2	
F-3	PMXK25M6888888	Antivibration gels	4	
F-4	M080JPE9003ZZ1	Plate	1	
F-5	M080JPE9020ZZ0	Base	1	
F-6	M020KKA9020MC1	Terminal channel	1	
F-7	PBDKBCPUCP2638	CPU set	1	
F-8	PBDIOMODDM276A	I/O modules	5	
F-9	M020KKA9009ZZ0	Controller bracket	1	
F-10	MN20KFA9026MC0	Duct-30	1	
F-11	PMTXPNE10A8888	Servo drive	2	
F-12	PMTXPNE04A8888	Servo drive	2	
F-13	PMTXPNE02A8888	Servo drive	1	
F-14	M020KFE9005ZZ0	Controller bracket	1	
F-15	M020KFE9006ZZ0	Controller bracket	1	
F-16	M020HFA9007ZZ0	Controller bracket	2	
F-17	PEXRS300W25K88	Regenerative resistor	2	
F-18	PEXRS017W50K88	Regenerative resistor	2	
F-19	PEXFSJ1238HA28	Fan	2	
F-20	PEXFS105105888	Fan cover	2	
F-21	PEXFSJ12COVER8	Fan cover	2	
F-22	PEXFFILTER120S	Filter	2	
F-23	PEXFFILTER102F	Filter	2	
F-24	PMXCAPRUBPAK30	Cap	2	
F-25	M080JPE9010ZZ2	Plate	1	
F-26	MN20KFA9029MC1	Duct-30	1	
F-27	M020KKA9025MC1	Duct-30	1	
F-28	M020KKA9021MC1	Terminal channel	1	
F-29	PSMPPRO1202405	Power supply	1	
F-30	PFTEDITTBB20BD	Noise filter	1	
F-31	PFTWEYFS03TM88	Noise filter	1	
F-32	PNSEGMC2288888	Contacto	1	

No.	PARTS No.	PARTS NAME	Q'TY	REMARKS
F-33	PBDINTKEBAV201	Board	1	
F-34	PEXSFM31005888	Support	7	
F-35	M020KKA9026MC0	Terminal channel	1	
F-36	PTLD0600015288	Terminal	5	
F-37	PTLD0600015888	Separator	1	
F-38	PRLKLY28888888	Relay socket	1	
F-39	PRLALY2N1DC248	Relay	1	
F-40	M020KKA9023MC0	Plate	1	
F-41	PEXSFM30588888	Support	4	
F-42	PBDKLEKKEBA888	Board	1	
F-43	PNSC32KGRC1588	Circuit brake	1	
F-44	PEXJTBOXJB001A	Ketop handheld terminals	1	
F-45	PEXZBUZZER8888	Buzzer	1	
F-46	M020KKA9032ZZ0	Cover	1	
F-47	PEXELEBAR14588	Earth Bar	1	
F-48	M080JPE9012ZZ1	Cover	1	
F-49	M080JPE9013ZZ1	Cover	1	
F-50	M080JPE9014ZZ1	Cover	1	
F-51	PMXBY117888888	Hook	2	
F-52	PMXBYHS1560888	Hinge	2	
F-53	MXCTKB70000000	Board	1	
F-54	M020KFG7003ZZ1	Cover	1	
F-55	PNN704BCM88888	Access point	1	
F-56	PN1HCON8888888	Concent	1	

**본사 (Head Office & Factory)**

인천광역시 서구 보도진로 41번길 9 (가좌동) (우:404-811)  
TEL : 032-582-5040, 032-582-5046  
FAX : 032-584-7040  
WWW.HYROBOT.COM

HANYANG ROBOTICS CO., LTD  
9, Bodojin-Ro 41 Beon-Gil, Seo-Gu, Incheon, Korea (404-811)  
TEL : +82-32-582-5040, +82-32-582-5046  
FAX : +82-32-584-7040  
WWW.HYROBOT.COM

HYROBOTICS CORP.  
5319 Brown Ave Saint Louis MO 63120 USA  
TEL : 1-636-578-6059  
FAX : 1-866-232-5594  
WWW.HYROBOT.COM

